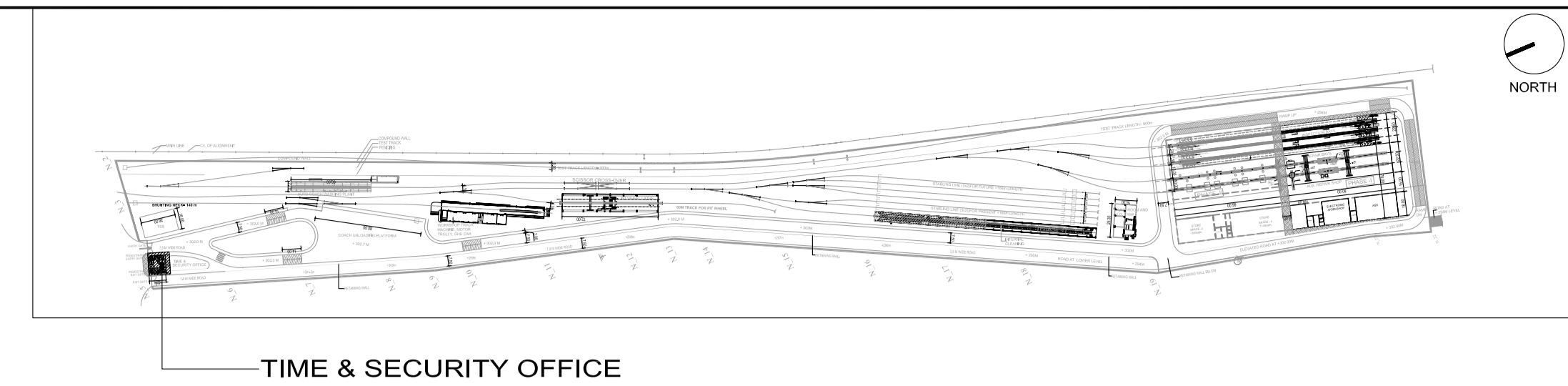


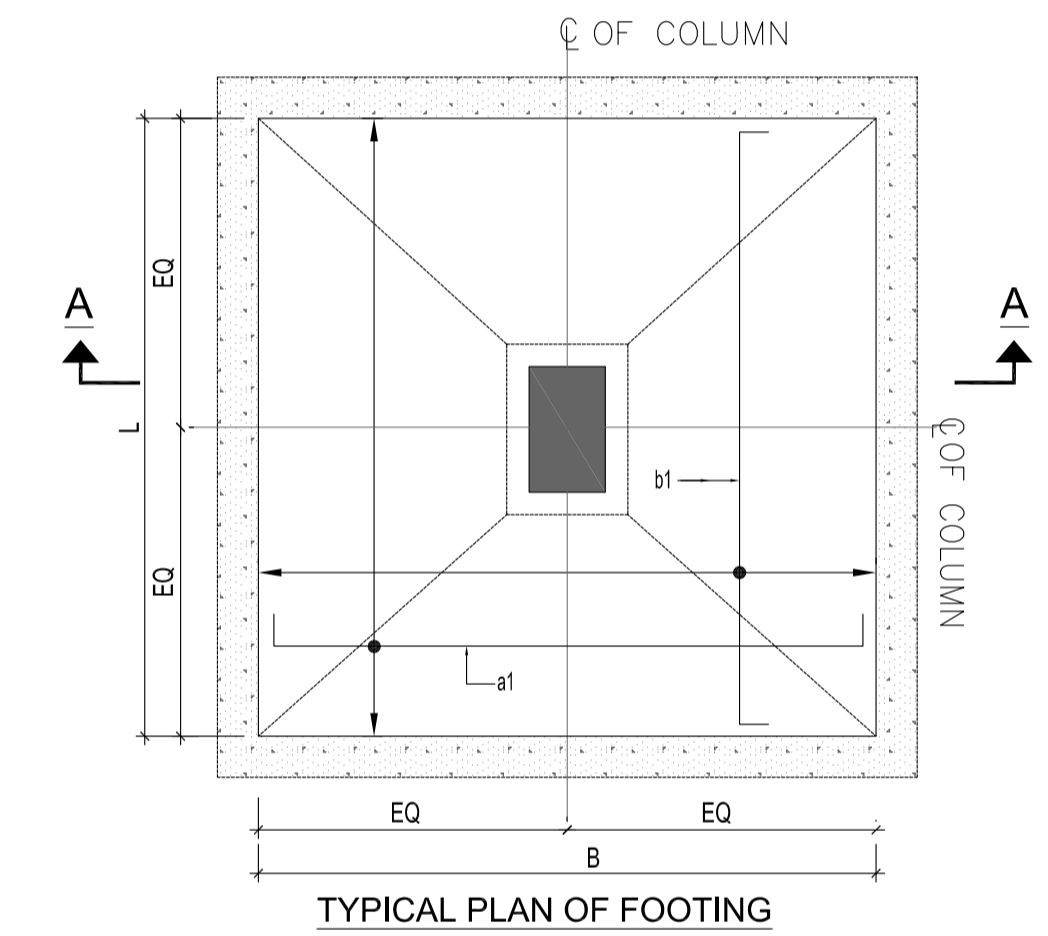
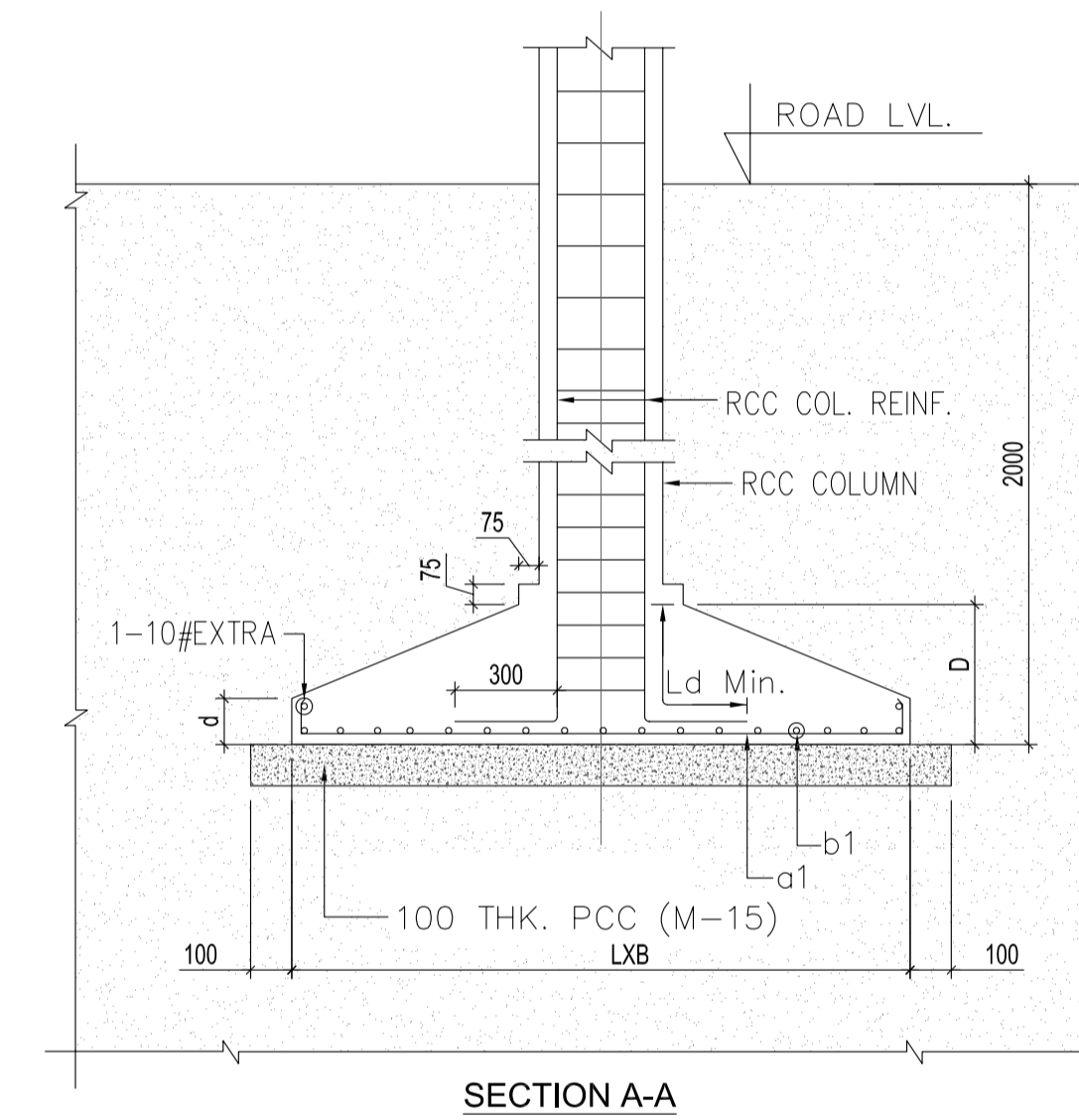
FOOTING LAYOUT PLAN

NOTE:- ALL COLUMN SIZE ARE (450X600)  
 ALL COLUMN & BEAMS SIZES ARE TENTATIVE  
 ALL LEVEL SHOULD BE CONFIRM WITH ARCH. DRGS.



FOUNDATION REINFORCEMENT SCHEDULE:-

SL.NO.	FOOTING	FOOTING SIZE		DEPTH		REINFORCEMENT (BOTTOM)		REINFORCEMENT (TOP)
		(LxW)	(D)	(d)	(a1)	(b1)	-----	
1.	F1	3500x3500	600	200	10Ø@125 C/C	10Ø@125 C/C	-----	



THIS DRAWING IS THE PROPERTY OF NAGPUR METRO RAIL CORPORATION LTD.

GENERAL NOTES:  
 1. ALL DIMENSIONS ARE IN MILLIMETERS & LEVELS ARE IN METERS UNLESS OTHERWISE STATED.  
 2. ALL DIMENSIONS ARE TO BE READ AND NOT MEASURED.  
 3. ANY DISCREPANCIES MUST BE BROUGHT TO THE NOTICE OF THE DMRC BEFORE EXECUTION OF WORK AT SITE.  
 4. THIS DRAWING MUST BE READ IN CONJUNCTION WITH ALL RELEVANT ARCHITECTURAL, STRUCTURAL, PLUMBING & FIRE FIGHTING, ELECTRICAL AND TRAFFIC MANAGEMENT DRAWINGS.  
 5. ALL DOOR/WINDOW CILL & LINTEL LEVELS ARE MEASURED FROM MAIN FLOOR FINISHED LEVELS.

REFERENCE DRAWINGS	
Drg. No.	Description

REVISIONS					
REV	DESCRIPTION	DRN.	CHD.	VER.	DATE

APPROVAL BY NMRCL			
ARCHITECTURE	AM/Mgr	DY CA-III	CA
STRUCTURE	AM/Design	DY CE/DESIGN	ED/Technical
ELECTRICAL	AEM/E&M	DGM/E	CEE/UD
CIVIL	AGM/Civil	CE/General	
	AGM/Tele	CSTE	
	Fire Officer		

Certified that this document has been designed and checked in accordance with DDC Quality Assurance Plan.

OFFICE OF DRAWING ORIGIN:  
**FOUNTAINHEAD**  
 ARCHITECTURE INTERIOR & LANDSCAPE  
 C-9/9148, VASANT KUNJ, NEW DELHI  
 PH: 011-26891534, 26124540, 26124543. FAX: 26898459  
 Email: office@studiofountainhead.com

Authorised Signatory for DDC.  
 N1DDC D-01 Project Manager

STRUCTURAL CONSULTANT :  
**LKT Engineering Consultants Ltd.**  
 63/12A, 1st floor, Main Rama road, Najafgarh road, industrial area, opposite Kirti nagar Metro Station, New Delhi-110015, Phone:- 011-4556814-18 info@lktengineering.com http://www.lktengineering.com

**NAGPUR METRO RAIL CORPORATION LTD.**  
 Metro House, 28/2, Anand Nagar, C K Naidu Road, Civil Lines, Nagpur - 440001

**N1DDC D-01**

ROLLING STOCK DEPOT AT MIHAN  
 DRAWING TITLE: TIME & SECURITY OFFICE - FOOTING LAYOUT PLAN  
 DRAWING NO: N1DDCD01-DPOM-T-ST-2111 REV: R0

DATE: 06.07.2016	SCALE: 1:200	STATUS: FOR TENDER
DRAWN BY: HIMANSHU TYAGI	CHECKED BY: H.S.	VERIFIED BY: L.K.TYAGI

STRUCTURAL

This drawing must not be either loaned, copied or otherwise reproduced in whole or in part or used for any purpose without the prior written permission of DMRC.